

SUPPLEMENT

TO THE

NEW ZEALAND GAZETTE

OF

THURSDAY, AUGUST 18, 1904.

Published by Authority.

WELLINGTON, THURSDAY, AUGUST 18, 1904.

CONTENTS.

	Page
Complete Specifications accepted	2015
Provisional Specifications accepted	2019
Letters Patent sealed	2020
Letters Patent on which Fees have been paid	2020
Subsequent Proprietors of Letters Patent registered	2021
Request for Correction of Clerical Error allowed	2021
Applications for Letters Patent abandoned	2021
Applications for Letters Patent void	2021
Applications for Letters Patent lapsed	2021
Letters Patent void	2021
Design registered	2021
Applications for Registration of Trade Marks	2021
Trade Marks registered	2027
Trade Mark Renewal Fee paid	2027
Trade Mark Applications withdrawn	2027
Illustrations of Inventions	At end

Notice of Acceptance of Complete Specifications.

Patent Office,
Wellington, 17th August, 1904.

COMPLETE specifications relating to the undermentioned applications for Letters Patent have been accepted, and are open to public inspection at this office. Any person may, at any time within two months from the date of this *Gazette*, give me notice in writing of opposition to the grant of any such patent. Such notice must set forth the particular grounds of objection, and be in duplicate. A fee of 10s. is payable thereon.

No. 16895.—1st September, 1903.—ROBERT ADAMS WILSON, of Bull's, New Zealand, Farm-overseer. An invention for loading spoil or gravel into trucks.*

Claim.—In the use of an apparatus including an inclined plane for loading spoil or gravel into trucks, the use of a scoop with a reversible back used for tipping material into trucks in the manner described.

(Specification, 2s. 3d.; drawings, 1s.)

A

No. 17028.—26th September, 1903.—CHARLES BRISTOW, of Christchurch, New Zealand, Mechanic. An improved turnip and rape and mangold sower.*

Extract from Specification.—My invention relates to an appliance for sowing agricultural seeds for use with drills or like implements, and consists of—(1.) A metal shell with necessary inlet-orifice for turnip or rape seed at or near the top, and an outlet-orifice for each description of seed at or near the bottom. The shell is fitted with shutter to permit either turnip or rape at will going to feed-drum, also with orifice for running off seed from hopper. (2.) A feed-drum or flanged roller to revolve inside shell, having, in the case of combined rape and turnip feeder, on the rape side studs projecting laterally from its face a suitable distance from its periphery and holes in the periphery of the turnip side (which is flanged), the holes being just sufficiently large to take one seed only. The drum has a boss projecting on either side, which boss is made a revolving fit in shell and shell-cap, and having a square or suitable hole for spindle to revolve same. (3.) On turnip side a shackle centred loosely on boss of drum having a stud upon which revolves an ejector, consisting of a small wheel with projections made to pitch with turnip holes on inside of flange to assist gravity in discharging seed at discharge orifice. (4.) A cap to close side of shell, and to form bearing for boss of feed drum. The cap is conveniently attached to shell, and for that part of its circumference between inlet and outlet of shell has a flange projecting inside flange of drum for the purpose of keeping turnip-seed from passing right through. (5.) A hopper of any suitable material is attached to shell to carry necessary amount of seed. Provision is made for connecting feeders to drill-box, the feeder as regards shell and hopper being rigidly fixed to machine. In the case of combined rape and mangold sower both faces have projecting studs

[NOTE.—The above extract from the specification is inserted in place of the claims.]

(Specification, 6s.; drawings, 2s.)

No. 17094.—7th October, 1903.—JOHN WILLIAMS, of Hawthorndale, near Invercargill, New Zealand, Labourer. Improvements in drain-ploughs.*

Claims.—(1.) In improvements in drain-ploughs, the combination of a blade having a vertical air-tube through same fitted to a tapering plug having its back part tubed to

connect with said vertical air-tube, said tapering plug in two parts to provide a removable point. (2.) In improvements in drain-ploughs, the combination of a blade having a vertical air-tube through same fitted to a tapering plug having its back part tubed to connect with said vertical air-tube, said tapering plug in two parts to provide a removable point, said blade slotted for adjustment, and a washer for use in lower slot for continuing of air-tube.

(Specification, 1s. 6d.; drawing, 1s.)

No. 17108.—13th October, 1903.—ALBERT LINCOLN APPLE-GARTH, of Woodhaugh, Dunedin, New Zealand, Engineer. Improvements in apparatus for economizing of fuel and preventing smoke in boilers and other furnaces.*

[NOTE.—The title in this case has been altered. (See list of provisional specifications, *Gazette* No. 91, of the 26th November, 1903.)]

Claims.—(1.) An apparatus for economizing of fuel and preventing of smoke in boiler and other furnaces, a casting *a* fixed to the furnace-front, and an air-tube *d* secured adjustably therein by means of set-screws *g*, *g*¹, *g*², substantially as described with reference to the drawings. (2.) An apparatus for economizing of fuel and preventing of smoke in boiler and other furnaces, a casting *a*, *a*¹, fixed to the furnace-front, and a steam-nozzle *h* secured to the part *a*¹ of the said casting by a screwed steam-pipe *i* and nuts *k*, *l*, substantially as described with reference to the drawings. (3.) An apparatus for economizing of fuel and preventing of smoke in boiler and other furnaces, the combination with the casting *a*, *a*¹, carrying the air-tube *d* and steam-nozzle *h* of a cover *p* independent of the steam-nozzle *h* and its steam-connections, and carried by and secured to the said casting *a*, *a*¹, by means of snugs *s* and screw *t*, substantially as described with reference to the drawings. (4.) An apparatus for economizing of fuel and preventing of smoke in boiler and other furnaces, which consists of a casting *a*, *a*¹, an air-tube *d*, a steam-nozzle *h*, and steam-connections for said nozzle, combined, arranged, and operating substantially as described with reference to the drawings.

(Specification, 2s. 9d.; drawing, 1s.)

No. 17116.—15th October, 1903.—JAMES MACALISTER, of Invercargill, New Zealand, Engineer. Chain-drive manure-feed.*

Claims.—(1.) In apparatus for the purpose described, a chain or chains passing from a sprock, roller, or cam, or sprocks, rollers, or cams, placed outside the manure-box on seed-sowing and fertiliser-sowing machines on to another or similar number of sprocks, rollers, or cams inside the manure-box and passing out again at the side, bottom, or any desired point, drawing with it the manure or fertiliser, substantially as and for the purposes described, and illustrated in the drawings. (2.) In apparatus for the purpose described, a chain or chains passing in at the top half of the manure-box and passing out at the bottom half, substantially as and for the purposes described, and illustrated in the drawings. (3.) In apparatus for the purpose described, a chain or chains passing in at the top half of the manure-box and passing out at the bottom half over a bevelled lip, substantially as and for the purposes described, and illustrated in the drawings.

(Specification, 3s.; drawings, 1s.)

No. 17122.—20th October, 1903.—JAMES DUGARD LEACH, of Dargaville, Auckland, New Zealand, Clerk. Spring mechanism for operating venetian-blinds.*

Claims.—(1.) In means for operating venetian-blinds, a drum revolvably mounted upon the headboard of the blind on an axis approximately at right angles thereto and upon which the lifting-cords are wound, a fusee formed integrally with or secured to such drum, a helical spring one end of which is attached to the headboard, and a cord connected to the free end of the spring and to the fusee and wound upon such fusee in a reverse direction to the winding of the lifting cords upon the drum, substantially as specified. (2.) In means for actuating venetian-blinds, a drum revolvably mounted upon the headboard of the blind and upon which the lifting cords are wound, a fusee formed integrally with or secured to the drum, a helical spring one end of which is attached to the headboard, and a cord one end of which is wound upon the fusee and which is connected to the free end of the spring either directly or through pulley blocks and sheaves, substantially as specified. (3.) In means for actuating venetian-blinds, a drum revolvably mounted in bearings upon the headboard of the blind and upon which the lifting-cords are wound, a fusee formed integrally with or secured to the drum, a helical spring one end of which is

attached to the headboard, a cord connected to the free end of the spring and wound upon the fusee, notches or recesses formed in the periphery of the drum, and a weighted pawl provided with a tooth normally engaging with the periphery of the drum, substantially as specified. (4.) The general arrangement, construction, and combination of parts in my spring mechanism for operating venetian-blinds, as described and explained, as illustrated in the drawings, and for the several purposes set forth.

(Specification, 5s.; drawing, 1s.)

No. 17134.—22nd October, 1903.—THOMAS FREDERICK DOWLING, of Hawera, New Zealand, Builder. Improved means for actuating fire-alarm and other bells.*

Claims.—(1.) In means for actuating bells of the class described, a rocking-beam mounted on the bell-tower, flexible ropes connected to the ends of such beam and passing upwards to the bell on opposite sides thereof and secured to the bell-clapper, a crank provided with means for revolving it, and a connecting-rod connected to the crank and to the rocking-beam, substantially as specified. (2.) In means for actuating bells of the class described, two flexible ropes secured to the clapper and passing outwards from the bell on opposite sides thereof and then downwards, a rocking-beam mounted on the bell-tower to the respective ends of which the ends of the ropes are secured, means for adjusting the tension on such ropes, and means whereby the rocking-beam may be given a regular reciprocatory rocking movement, substantially as specified. (3.) The general arrangement, construction, and combination of parts in my improved means for actuating fire-alarm and other bells, as described and explained, as illustrated in the drawings, and for the several purposes set forth.

(Specification, 3s.; drawing, 1s.)

No. 17161.—24th October, 1903.—EDGAR MARTIN PERDRIAU, of Cary Street, Drummoyne, near Sydney, New South Wales, Australia, Business-manager (assignee of Harold Daniell, of Shadforth Street, Mossman, near Sydney aforesaid, Salesman). Improved riding and driving coat or overcoat.*

[NOTE.—The title in this case has been altered. (See list of provisional specifications, *Gazette* No. 94, of the 10th December, 1903.)]

Claims.—(1.) Improved riding, driving, and walking coat or overcoat, the essential features of which are an overlapping front meeting diagonally across the chest to the waist and straight downwardly, and a covering piece or lapel over the diagonal opening, substantially as described and explained. (2.) Improved riding, driving, and walking coat or overcoat, wherein in combination are—*a*, a fastening back-opening covering a fan, gusset, or skirt piece; *b*, an overlapping front meeting diagonally across the chest to the waist and straight downwardly; and *c*, a covering piece or lapel over the diagonal opening; substantially as described and explained. (3.) Improved riding, driving, and walking coat or overcoat, manufactured of parts as and for the purposes set forth, substantially as described and explained, and as illustrated in the drawings.

(Specification, 3s. 6d.; drawings, 1s.)

No. 17208.—5th November, 1903.—JOHN TAGELL, of Bethanga, Benambra, Victoria, Australia, Engineer. An oscillating cylindrical valve applicable to rock-drills, air-pumps, steam-pumps, and steam-engines.*

Claims.—(1.) An oscillating cylindrical valve such as *a*, provided with longitudinal grooves *a*¹, transverse ports *a*², and exhaust clearances *a*⁴, substantially as described and shown. (2.) An oscillating cylindrical valve such as *a*, in combination with the sliding block *b*, which may be operated by the bar *b*¹ or by an eccentric and rod in the usual manner, substantially as described with reference to the sheet of drawings.

(Specification, 2s. 6d.; drawing, 1s.)

No. 17216.—6th November, 1903.—ANTHONY EDWIN WATSON, of Begg Street, Kyneton, Victoria, Australia, Farmer. An improved mounting for rotary scrapers on agricultural implements.*

Claims.—(1.) An improved mounting for rotary scrapers on agricultural implements, comprising a bracket bent at right angles at the rear end, and having adjustment slots, a spindle fitting into said bracket, and a rotary scraper disc mounted on the rear of said spindle between a two-part boss, substantially as specified and illustrated. (2.) In a mounting for rotary scrapers on agricultural implements, a spindle

having a squared part terminating in a shoulder, a collar about the middle, and a boss made in two parts, the front being recessed and the rear thimble-shaped, with the scraper disc bolted between, substantially as specified and illustrated. (Specification, 2s.; drawings, 1s.)

No. 17278.—19th November, 1903.—LIZZIE FRAME, of Reed Street, Oamaru, wife of John Frame, New Zealand. An improvement in or relating to washing-boilers.*

Claims.—(1.) In boilers, a cover adapted to fit over the top of the boiler, a pipe leading upwards from such cover, and a fixed pipe leading to any desired point, and into the bottom end of which the top end of the pipe leading from the cover telescopes so as to be capable of sliding up and down therein, substantially as specified. (2.) In boilers, a cover adapted to fit over the top of the boiler, a pipe leading upwards from such cover, a counterweight connected to and balancing the pipe and cover, and a fixed pipe leading to any desired point, into the bottom end of which the top end of the pipe leading from the cover telescopes so as to be capable of sliding up and down therein, substantially as set forth. (Specification, 1s. 9d.; drawing, 1s.)

No. 17363.—11th December, 1903.—JOSEPH RITSCHER, of 319, Swanston Street, Melbourne, Victoria, Australia, Engineer. An adjustable throw-crank for cycles and other machines.*

Extract from Specification.—In constructing the invention for use on a cycle each crank-arm A is formed on the one-half of a divided eccentric band or strap A¹, the eccentric B for each strap being secured at each end part of the usual crank-axle C upon which the sprocket or gear wheel C² is secured, and it is by locking or setting each eccentric strap A¹ at the desired position on its eccentric B that the requisite length of throw or stroke is obtained.

[NOTE.—The above extract from the specification is inserted in place of the claims.]

(Specification, 5s. 3d.; drawings, 3s.)

No. 17400.—21st December, 1903.—THOMAS SMITH, of Kotuku, Greymouth, New Zealand, Borer. Improvements in diamond-drill boring apparatus.*

Claims.—(1.) In apparatus for the purpose indicated, in combination, a tapering wedge bar of rectangular section having longitudinal grooves in each of its faces each of said grooves running parallel to the edge of the wedge bar to which it is nearest, a collar in four sections sliding upon the wedge bar and having feathers sliding in the grooves referred to, substantially as specified, and illustrated in the drawing. (2.) In apparatus for the purpose indicated, in combination, a tapering wedge bar of rectangular section having a shoulder at its upper end, a screwed shank by which it is secured to the boring-rods, and a collar at its lower end to serve as a guide, longitudinal grooves in such wedge bar, and a collar in four sections sliding upon the bar and having feathers adapted to slide in the grooves, dowels securing the collar-sections together, substantially as specified, and illustrated in the drawing. (3.) An improved apparatus for use in diamond drilling, consisting of the parts arranged, combined, and operating substantially as and for the purposes specified, and illustrated in the drawing.

(Specification, 3s.; drawing, 1s.)

No. 17690.—23rd March, 1904.—WILLIAM CHANDOS WALL, of 22, Wellington Street, Newtown, near Sydney, New South Wales, Gentleman; and JOHN THOMAS TOOHEY, of Elizabeth Street, Sydney aforesaid, Brewer. An improved knife-cleaner.

Extract from Specification.—The invention consists of an oblong box of the required length, with an opening at one end extending upwards from the bottom. The bottom of said box is lined with felt, buff, leather, or other suitable material. A board lined on one face with similar material, and grooved down the centre to the lining to render it flexible, is placed in the bottom of the box in such a manner that the lined face of such board lies against the lining in the bottom of the box and fits loosely in the box. A spiral or arched spring is fixed on the top of such board in such a manner that the spring is pressed down by the cover of the box when closed.

[NOTE.—The above extract from the specification is inserted in place of the claims.]

(Specification, 1s. 3d.; drawing, 1s.)

No. 17795.—4th May, 1903.—GROVE JOHNSON, "Honours" Certificate City and Guilds of London Institute for Brewing Technology, and PERCY RICHARD HARE, both of 8, Hawes Road, Bromley, Kent, England, Analytical Chemists. Improvements relating to the fermentation of liquids.

[NOTE.—This is an application under section 106 of the Act, the date given being the official date of the application in Great Britain.]

Claims.—(1.) Process for the production of the alcoholic ferment "Saccharomyces thermantitonum," consisting in charging a bacteriologically clean bottle or vessel partially filled with eucalyptus-leaves with a solution at a temperature of 160° Fahr. of previously boiled inverted sugar or malt wort, then closing the said bottle or vessel with the result that a deposit is formed consisting of cells of "Saccharomyces thermantitonum," an alcoholic ferment capable of resisting destruction above 165° Fahr. (2.) The alcoholic ferment "Saccharomyces thermantitonum" discovered and isolated as described by immersing eucalyptus-leaves in a saccharine-solution at a temperature of 160° Fahr. contained in a closed vessel, the said alcoholic ferment being capable of resisting destruction at a temperature fatal to any known alcoholic ferment. (3.) The alcoholic fermentation of liquids with the aid of the alcoholic ferment discovered and isolated as described, which resists destruction at a temperature above 165° Fahr. and which incites alcoholic fermentation within a wide range of temperature, the most favourable to its action being between 80° and 110° Fahr. (4.) Alcoholic fermented liquors substantially as described and resulting from fermentation by the alcoholic ferment "Saccharomyces thermantitonum" discovered and isolated as described by immersing eucalyptus-leaves in a saccharine-solution at a temperature of 160° Fahr., for the purposes specified.

(Specification, 10s. 6d.)

No. 17846.—27th April, 1904.—WILFRED JOSEPH SPRUSON, of 169, King Street, Sydney, New South Wales, Australia, Patent Agent (nominee of William H. Sauvage, of Manhattan, New York, United States of America). Improvements in air-brakes for railway-cars.

Extract from Specification.—The operation is as follows: Compressed air is admitted to main cylinder a through operation of the triple valve d in the usual way, forcing out piston a¹, taking up the slack and elastic yielding of the brake-lever system and beams, and setting the brakes. This also moves the auxiliary lever g out into the position shown in dotted lines in Fig. 2. Piston a¹, after moving far enough to produce the above-described results, uncovers port i and allows air to pass into the auxiliary cylinder f. The piston f¹ moves forward, piston rod f² drops down and engages lever g, and greatly increased pressure is applied to the brakes with only an inch or two of movement of piston f¹, and consequently with only small consumption of compressed air.

[NOTE.—The above extract from the specification is inserted in place of the claims.]

(Specification, 12s.; drawing, 2s.)

No. 18061.—21st June, 1904.—DAVID DUNN, of Oamaru, New Zealand, Mechanical Engineer. An improved wheel-jack.

Claims.—(1.) General construction, in combination with the curved lever and lifting-bar. (2.) The method of applying power with a curved lever and lifting-bar without using intermediate parts. (3.) The automatic catch, in combination with the sliding adjuster.

(Specification, 2s.; drawings, 1s.)

No. 18094.—28th June, 1904.—WILLIAM GRAY, of Whakapara, Auckland, New Zealand, Butcher. An improved combination tool.

Claims.—(1.) A tool comprising, in combination, an adjustable wrench, a screwdriver, a hammer, a device for turning small nuts, and a device for turning circular nuts, substantially as specified. (2.) For the purpose indicated, in combination, a stem having a fixed jaw, a screw-operated sleeve fitting the stem, a screwdriver on the end of the stem, a tapered groove in the head of the stem, a curved outer face to the sleeve, and a turned-in snib at the extremity of the face, as set forth. (3.) The combination and arrangement of parts comprising the improvements in monkey wrenches, substantially as set forth, and illustrated on the drawing.

(Specification, 1s. 6d.; drawing, 1s.)

No. 18167.—19th July, 1904.—EDWIN GEORGE MAY, of May's Road, St. Albans, Christchurch, Canterbury, New Zealand, Builder. An improved door-holder.

Claims.—(1.) A door-holder consisting of the parts arranged, combined, and operating substantially as specified, and illustrated in the drawings. (2.) A door-holder comprising, in combination, a vertically sliding rod, a loop at the upper end thereof, a revolvably mounted knob having a boss fitting said loop, and a spiral worm upon the inner face of said knob adapted to engage projections from the rod, substantially as and for the purposes specified, and illustrated in the drawings.

(Specification, 1s. 6d.; drawing, 1s.)

No. 18176.—14th July, 1904.—JOSEPH HENRY NOONAN, of Hobson Street, Auckland, New Zealand, Dealer; and TIMOTHY BEEHAN O'CONNOR, of Victoria Street, Auckland aforesaid, Publican. An improved billiard-rest.

Claims.—(1.) The novel construction of billiard-rest. (2.) The manner in which the rest can be converted into a spider by means of lengthening-legs. (3.) The lengthening-rod inserted into the handle and arranged so that it can be used as a short, long, or intermediate rest, as set forth in this specification, and shown on the drawings.

(Specification, 2s. 3d.; drawings, 1s.)

No. 18182.—20th July, 1904.—ARCHIBALD JOHN MCPHARLIN, of Whangapoua, Auckland, New Zealand, Gum-farmer. An improved device for catching kauri-gum.

Claims.—(1.) A device for catching kauri-gum made of sheet metal bent into convenient form and secured to the tree by driving the edge of the device into the bark, substantially as specified and illustrated. (2.) A device for catching kauri-gum, consisting of a piece of sheet metal bent into a convenient shape and having an inturned projecting edge at its front end and a sharpened edge upon its rear end, substantially as and for the purposes specified, and illustrated in the drawing.

(Specification, 1s. 9d.; drawings, 1s.)

No. 18198.—18th July, 1904.—JOHN HERCUS, Agent, and WILLIAM MCLENNAN, Engineer, both of Dunedin, New Zealand. An improved coal-saver and draught-regulator for register grates.

Claims.—(1.) In a register grate, the combination of said grate, and especially the opening and closing register, with the appliances consisting of a notched bar fulcrumed on the top of the register and weighted so as to keep the notches engaged wherever placed, all substantially as set forth, and as illustrated in the drawing. (2.) In register grates, in combination, the register and a bar having a handle at one end, notches throughout the length of the said bar, and a balance-weight at the other end, behind the register, for the purpose of keeping the said notches in the position desired, all substantially as shown and as described, and as illustrated in the drawing.

(Specification, 1s. 3d.; drawing, 1s.)

No. 18199.—21st July, 1904.—FREDERICK JAMES SHELTON, of Wellington, New Zealand, Importer. Improvements in or relating to acetylene-gas generators.

Claims.—(1.) In acetylene-gas generators of the class described, a normally closed spring-controlled valve upon each branch-pipe leading to each generating-chamber, a vertical rod the bottom end of which is connected to the valve and which passes through a slot in a guide attached to the tank, and the top end of which is so disposed that it shall engage with and be depressed by the gasometer when it falls to a predetermined level, substantially as specified. (2.) In acetylene-gas generators of the class described, a normally closed spring-controlled valve upon each branch-pipe leading to the respective generating-chambers, a vertical rod the bottom end of which is connected to such valve and with the top end of which the gasometer is adapted to engage, a guide attached to the water-tank through a slot in which the rod passes, a spring bearing against the upper end of such rod and pressing it outwards from the tank, and a catch upon the rod the top end of which is adapted to engage with the outer edge of the slot in the guide when the rod is depressed to open the valve so as to hold it in the depressed condition, substantially as specified.

(Specification, 3s.; drawing, 1s.)

No. 18209.—25th July, 1904.—THOMAS ROGERS, of Wellington, New Zealand, Tinsmith. Improved means for use in forming O.G. spouting and ridging.

Claims.—(1.) The improved means for use in the manufacture of O.G. spouting and ridging, substantially as described and explained, and as illustrated in the drawings. (2.) In means for use in forming O.G. spouting, a table formed with a groove extending longitudinally in its surface near one edge, a groove extending along its front face, a clamp along the front edge of the table, and an angle-piece secured to the front bottom corner of the table so as to form a slot between the front face and the angle-piece, substantially as specified.

(Specification, 3s. 9d.; drawing, 1s.)

No. 18225.—28th July, 1904.—WORSEY-HOAL GOLD-EXTRACTING SYNDICATE, LIMITED, of 34, Castle Street, Liverpool, Lancaster, England (assignees of James Westhead Worsley, of 137, Boundary Road, St. Helens, Lancaster, England, Metallurgist; and Edwin Hoal, of 9, Bradfield Street, Liverpool aforesaid, Mining Engineer). Improvements in or connected with the extracting of gold from gold-ores.

Claims.—(1.) The described improvement in or connected with the extraction of gold from gold-ores—namely, treating such gold-ores to the action of nascent bromide of chlorine produced by the admixture of a salt of chlorate of soda and bromide of soda, or a chlorate and bromide of other equivalent alkali, or a chloride and bromide of an alkaline earth, in the presence of the ore, for the purposes set forth. (2.) In the extraction of gold from gold-ores, admixing with powdered or crushed gold-ore a salt of chlorate of soda and bromide of soda, or a chlorate and bromide of other equivalent alkali, or a chloride and bromide of an alkaline earth, and hydrochloric acid, sulphuric, or other suitable acid, and subjecting same to a gentle heat, and subsequently raising the temperature of the mixture, substantially as in the manner and for the purposes as set forth. (3.) In the extraction of gold from gold-ores, admixing with powdered or crushed gold-ore a salt of chlorate of soda and bromide of soda, or a chlorate and bromide of other equivalent alkali, or a chloride and bromide of an alkaline earth, and subjecting same to heat, then separating the gold-solution from the undissolved portion, then treating the gold-solution with a weak solution of a lead salt added to it and agitating same, and then subsequently treating it with sulphide of hydrogen or other suitable known equivalent acid added to it, and subsequently agitating same preferably by forcing air through it, substantially as set forth. (4.) In the extraction of gold from gold-ores wherein the powdered or crushed ore is treated with substances or materials specified and the gold is dissolved as described, treating the residual ore separated from the gold-solution with a solution of ferro-prussiate of ammonium and soda or potash, substantially as and for the purposes described.

(Specification, 4s.)

No. 18259.—2nd August, 1904.—WILLIAM HENRY PAYNE, of Palmerston North, Wellington, New Zealand, Boot-maker. An improved dirt-screen for employment in connection with motor cars and the like.

Claims.—(1.) A screen for the under-gear of motor cars and the like, constructed, arranged, and operating substantially as specified. (2.) For the purpose indicated, a leather apron secured to the body of a car by straps, loops being provided upon the car to receive said straps, substantially as specified.

(Specification, 1s. 6d.; drawing, 1s.)

An asterisk (*) denotes the complete specification of an invention for which a provisional specification has been already lodged.

NOTE.—The cost of copying the specification and drawing has been inserted after the notice of each application. An order for a copy or copies should be accompanied by a post-office order or postal note for the cost of copying.

The date of acceptance of each application is given after the number.

Extracts from the drawings accompanying the foregoing complete specifications appear at the end of this Gazette.

F. WALDEGRAVE,
Registrar.

Provisional Specifications.

Patent Office,
Wellington, 17th August, 1904.

APPLICATIONS for Letters Patent, with provisional specifications, have been accepted as under:—

No. 17791.—15th April, 1904.—MICHAEL HOGAN, of Wanganui, Wellington, New Zealand, Produce-dealer. Improved bicycle-stand.

No. 17847.—26th April, 1904.—GEORGE STEVEN JONES, of Oamaru, New Zealand, Printer. Improved mailing-wrapper for photographs and the like.

No. 18109.—29th June, 1904.—JAMES DUNSTAN, Engineer, and ERNEST WILLIAM MANNING, Commercial Traveller, both of Hobson Street, Auckland, New Zealand. A method of advertising.

No. 18119.—5th July, 1904.—JOHN HICKMAN, of 24, Durham Street, Christchurch, New Zealand, Cabinetmaker. Improvements and alterations to the Welsbach incandescent gas-burner.

No. 18122.—2nd July, 1904.—JEREMIAH CALLAGHAN, of 42, Cumberland Street, Dunedin, New Zealand, Fireman; JOHN HARKNESS MCQUEEN, of 146, Castle Street, Dunedin aforesaid, Draper; and JOHN WATSON, of High Street, Dunedin aforesaid, Hotelkeeper. Improved decanter.

No. 18157.—12th July, 1904.—SYDNEY SMITH, of Christchurch, New Zealand, Boot-manufacturer. A new and improved sandal.

No. 18158.—11th July, 1904.—GIBSON PIERCE MARTIN, of Kelso, New Zealand, Saddler. Improvements in fastenings for animal-covers.

No. 18159.—14th July, 1904.—GEORGE SEATON STEVENSON, of Gore, Otago, New Zealand; and JAMES SHIELDS, of Balfour, New Zealand, Flax-mill Owner. Air or vacuum buffer.

No. 18160.—15th July, 1904.—WILLIAM O'BRIEN, Jun., of Waipori, Otago, New Zealand, Dredgemaster. An invention for obtaining hydraulic power from the waves.

No. 18163.—16th July, 1904.—WILLIAM FREDERICK RANKIN, of Devonport, Auckland, New Zealand, Mechanical Engineer. A stove-protector for use in frying.

No. 18164.—16th July, 1904.—FRANCIS SOPER, of Athol, Southland, New Zealand, Labourer. Means for automatically rocking cradles.

No. 18169.—13th July, 1904.—ROBERT WALES, of Dunedin, New Zealand, Engineer. Improved collar-stud.

No. 18177.—15th July, 1904.—ROBERT WALES, of Dunedin, New Zealand, Engineer. Apparatus for dividing a quantity of discrete material into equal portions.

No. 18178.—15th July, 1904.—ROBERT WALES, of Dunedin, New Zealand, Engineer. Device for dividing a quantity of discrete material into equal portions.

No. 18179.—15th July, 1904.—THOMAS CROSLAND, of St. Leonards, near Dunedin, New Zealand, Salesman. Improvement in portable washing-boiler.

No. 18181.—19th July, 1904.—ARTHUR APPLETON STEPHENSON, of Fremantle, Western Australia, Engineer. An improved low-pressure inflammable gas and heating and motive power.

No. 18183.—21st July, 1904.—ALBERT SENOR CORONEL, of "Alvorado," Old South Head Road, Waverley, New South Wales, Australia, Merchant. Improved devices for suspending or holding sliding sashes of windows and the like.

No. 18184.—21st July, 1904.—FRANCIS WILLIAM LEE, of Brook Street, Woodend, Victoria, Australia, Blacksmith. Improvements in potato-diggers.

No. 18185.—21st July, 1904.—JOHN WILLIAM BORLAND, of Yarragon, Buln Buln, Victoria, Australia, Coachsmith. An improved self-locking pin for implements and other purposes.

No. 18186.—21st July, 1904.—ALFRED JAMES GILSENAN, of Bairnsdale, Tanjil, Victoria, Australia, Butter-factor. An improved acetylene gas generator.

No. 18189.—16th July, 1904.—CHARLES EDWARD EASTERBROOK SMITH, of London Street, Ponsonby, Auckland, New Zealand, Contractor. A means for the doing-away of the smoke arising from smoke stacks, funnels, and the like.

No. 18190.—21st July, 1904.—HANS PETER KNUTZEN, of Auckland, New Zealand, Mechanic. Improvements in appliances for killing smoke.

No. 18191.—19th July, 1904.—THOMAS WILLIAM MAY, of Hackett Street, Ponsonby, Auckland, New Zealand, Builders' Foreman. An improved rotary engine.

No. 18193.—18th July, 1904.—PETER McDONALD, of Dip-ton, New Zealand, Mill-owner. Improvements in means for removably attaching grippers to tires.

No. 18194.—18th July, 1904.—ROBERT WALES, of Dunedin, New Zealand, Engineer. Method of and apparatus for dividing a quantity of discrete material into equal portions.

No. 18195.—18th July, 1904.—RODERICK MCKENZIE McLENNAN, of Dunedin, New Zealand, Shipping Clerk. Improvements in calendars.

No. 18196.—19th July, 1904.—SAMUEL NICOLSON, of Medway Street, Gore, New Zealand, Sailmaker. An improvement in non-freezing taps.

No. 18197.—19th July, 1904.—SAMUEL NICOLSON, of Medway Street, Gore, New Zealand, Sailmaker. An improved method of attaching strips of leather or rubber to the tires of motors or other vehicles.

No. 18201.—22nd July, 1904.—CHARLES VALENTINE JRN-KINS, of Victoria Street, Lower Hutt, Wellington, New Zealand, Builder. An improved collar-stud.

No. 18202.—22nd July, 1904.—ALEXANDER RATTRAY AY-son, of Glenham, near Wyndham, Southland, New Zealand, Flaxmiller. Improvements in or relating to flax-strippers.

No. 18203.—23rd July, 1904.—FORTESCUE FRANCIS CROFT HUDDLESTON, of Hardy Street, Nelson, New Zealand, Artist. An improved heating-apparatus.

No. 18206.—21st July, 1904.—THOMAS FOSTER and THOMAS THOMSON PAUL, of Manse Street, Dunedin, New Zealand, Bookbinders. Binder for mercantile papers, newspapers, and the like.

No. 18208.—25th July, 1904.—ROBERT WHILEY, late of Ohau, but now of 47, Hawker Street, Wellington, New Zealand, Sawmiller. A method of killing all blight and parasites on fruit-trees of any description, and of thoroughly cleansing trees.

No. 18212.—22nd July, 1904.—RICHARD COSSLETT, of Bath Street, Ponsonby, Auckland, New Zealand, Architect. Improvements in building-appliances.

No. 18215.—22nd July, 1904.—JOHN HERCUS, Agent, FREDERICK WILLIAM BARTON, Gardener, and WILLIAM MORTON, Mechanical Engineer, all of Dunedin, New Zealand. A machine for turnip-thinning.

No. 18216.—22nd July, 1904.—WILLIAM PONNINGHAUS, of Horner Street, Papanui, Canterbury, New Zealand, Im-porter. An improved incubator.

No. 18217.—22nd July, 1904.—ST. GEORGE TREVLYN WILSON STEWART, Pianoforte Expert, and WILLIAM EDWARD CHARLES THOMAS MILLER, Gentleman, both of 147, Harper Street, Sydenham, Canterbury, New Zealand. An improved piano-insulator.

No. 18218.—23rd July, 1904.—EDWARD DON, of Dunedin, New Zealand, Bootmaker. A method of and composition for boot-finishing, including tan boots.

No. 18220.—28th July, 1904.—AUGUST LYELL, of Main Street, Palmerston North, Wellington, New Zealand, In-ventor. Improvements in sewing-machines.

No. 18221.—27th July, 1904.—JOHN WATT, of Balclutha, New Zealand, Gas-engineer. Improved means for utilising the waste heat from an ordinary oil-lamp or incandescent gas-burner.

No. 18223.—25th July, 1904.—ALEXANDER SPEDEN, of Timaru, New Zealand, Carpenter. An improved lock for doors.

No. 18226.—28th July, 1904.—AUGUSTE JOSEPH FRANCOIS DE BAVAY, of "Florimel," Gellibrand Street, Kew, Victoria, Australia, Brewer and Chemist. An improved process for separating by flotation parts of the constituents of ores and other solid bodies from the remainder thereof.

No. 18227.—28th July, 1904.—AUGUSTE JOSEPH FRANCOIS DE BAVAY, of "Florimel," Gellibrand Street, Kew, Victoria, Australia, Brewer and Chemist. An apparatus for separating by flotation parts of the constituents of ores and other solid bodies from the remainder thereof.

No. 18228.—28th July, 1904.—AUGUSTE JOSEPH FRANCOIS DE BAVAY, of "Florimel," Gellibrand Street, Kew, Victoria, Australia, Brewer and Chemist. An improved process for separating by flotation zinc blende from ores, tailings, concentrates, and slimes, and where necessary for preparing such ores to enable such separation to be effected.

No. 18229.—28th July, 1904.—AUGUSTE JOSEPH FRANCOIS DE BAVAY, of "Florimel," Gellibrand Street, Kew, Victoria, Australia, Brewer and Chemist. An improved process for separating by flotation zinc blende from ores, tailings, concentrates, and slimes, and where necessary for preparing such ores to enable such separation to be effected.

No. 18232.—28th July, 1904.—ADOLF GUTENSOHN, of Crown Works, Limehouse, London, England, Metallurgical Chemist. Improved means for recovering metals and oxides from acid-solutions containing the same.

No. 18233.—28th July, 1904.—THOMAS MACALPINE, of 22, Sutton Court Road, Chiswick, London, England, Doctor of Science, Consulting and Research Chemist and Chemical Engineer. Improvements in means and apparatus for refining oils.

No. 18234.—28th July, 1904.—EDMUND FRANCIS BEDFORD KENYON, of Hove, Brighton, Sussex, England, Gentleman. Improvements in peelers for potatoes and like articles.

No. 18236.—28th July, 1904.—RALPH BYERLEY TAYLOR, of 51, Dawson Street, Newcastle, New South Wales, Australia, Cabinetmaker; and EDWARD AMBROSE, of 225, Hunter Street, Newcastle aforesaid, Mechanical Engineer. Improved wash-board and rubber for use therewith.

No. 18239.—22nd July, 1904.—ANGUS MCARTNEY, of Bridge Street, Nelson, New Zealand, Butcher. A double-headed match.

No. 18240.—26th July, 1904.—FRANCIS ALFRED TRE-GELLES, of New Plymouth, New Zealand, Consulting and Civil Engineer. Improved moveable river and sea groin.

No. 18241.—26th July, 1904.—FRANCIS ALFRED TRE-GELLES, of New Plymouth, New Zealand, Consulting and Civil Engineer. Improved system of building river and sea walls, groins, caissons for foundations of walls and bridges and for cofferdams, and caissons for breakwaters and foundations for same.

No. 18244.—26th July, 1904.—ROBERT WALES, of Dunedin, New Zealand, Engineer. Method of and machine for packeting discrete materials in predetermined portions.

No. 18245.—26th July, 1904.—FREDRIC COLVILLE, of Waimate, Canterbury, New Zealand. Millwright. An improved tripping-attachment to reaper and binder.

No. 18247.—26th July, 1904.—MORTON ALDIS, of Auckland, New Zealand, Solicitor. An improved form of handle and automatic lid-opener for billies and similar vessels.

No. 18248.—30th July, 1904.—ALEXANDER RATTRAY AYSON, of Glenham, near Wyndham, Southland, New Zealand, Flaxmillier. An improved flax-scutter.

No. 18250.—28th July, 1904.—PETER GEORGE KELLY, of Russell Street, Arch Hill, Auckland, New Zealand, Engineer. Improvements in propellers for ships or other vessels.

No. 18255.—15th August, 1904.—CHARLES JAMES WAUGH, of Adelaide Road, Wellington, New Zealand, Engineer. An invention for turning and crowning speed-pulleys or other wheels.

No. 18257.—1st August, 1904.—HILARY QUERTIER, of Wood's Hotel, Dunedin, New Zealand, Engineer; and CHARLES CLARKE ARMSTRONG, of Dunedin aforesaid, Photographer. Improved flashlight apparatus.

No. 18258.—1st August, 1904.—CHARLES CLARKE ARMSTRONG, of Princes Street, Dunedin, New Zealand, Photographer; and HILARY QUERTIER, of Wood's Hotel, Dunedin aforesaid, Engineer. Improved flashlight powder.

No. 18260.—2nd August, 1904.—WILLIAM SNEDDON, of Dunedin, Otago, New Zealand, Farmer. An improved garment-suspender.

No. 18261.—2nd August, 1904.—ALEXANDER NATHAN, of Makino, Feilding, New Zealand, Merchant; FREDERICK JOSEPH NATHAN, of Palmerston North, New Zealand, Merchant; and JOHN ALFRED MERRETT, of Wellington, New Zealand, Engineer. Improved apparatus for drying milk, blood, and other matters.

No. 18262.—3rd August, 1904.—ALFRED PERCY WESTBURY, Builder, and FREDERICK LEE, Carpenter, both of White's Line, Lower Hutt, New Zealand. An improved sash-bar for greenhouses, frames, and suchlike structures.

No. 18265.—3rd August, 1904.—JAMES ALEXANDER BUTLER, of Balfour, New Zealand, Farmer; and GEORGE SEATON STEVENSON, of Gore, New Zealand, Contractor. A new or improved wind-gauge for rifles and the like.

No. 18266.—1st August, 1904.—ARCHIBALD CROOK, of 54, Manchester Street, Christchurch, New Zealand, Engineer. An automatic fertiliser-press.

No. 18267.—2nd August, 1904.—EDITH MAINE, of Christchurch, New Zealand, Married Woman. An improved boot or shoe stand.

No. 18269.—1st August, 1904.—PIERCE LANIGAN, of Auckland, New Zealand, Contractor. A new method of lifting and bunching venetian-blinds at or near the top of the window.

No. 18272.—4th August, 1904.—JAMES BENNETT, of 138, Greville Street, Prahran, near Melbourne, Victoria, Australia, Bricklayer; and JOHN FRIEZER, of 26, Andrew Street, Northcote, near Melbourne aforesaid, Bricklayer. Improvements in or in connection with means for drawing beer or other liquids from barrels.

No. 18274.—4th August, 1904.—ROWE'S PATENT LOCK AND BLOCK, LIMITED, a company registered according to the laws of the State of New South Wales, in the Commonwealth of Australia, having its registered office at 14, O'Connell Street, Sydney, New South Wales aforesaid (assignee of William Rowe, of "Mayville," Victoria Road, Murrickville, near Sydney aforesaid, Signal-fitter). Improvements in railway-traffic-control systems.

No. 18276.—4th August, 1904.—ALEXANDER CARSTAIRS MCNEILL, of Brunswick, near Wanganui, New Zealand, Farmer. An appliance for use in leg-roping cows.

No. 18277.—4th August, 1904.—WILLIAM COCHRANE, of Bath Street, Parnell, Auckland, New Zealand, Mariner. Improved means of raising sunken vessels.

No. 18278.—2nd August, 1904.—ALFRED PRIOR, of Dunedin, New Zealand, Box-manufacturer. Improvements in and relating to boxes.

No. 18279.—2nd August, 1904.—WILLIAM BORLASE, of Dunedin, New Zealand, Cycle-mechanic. Improvements in cisterns.

No. 18281.—3rd August, 1904.—PATRICK CHURCHER MAXWELL, Gentleman; ALPHEUS AUGUSTUS PEART, Surveyor; and WILLIAM LEVITT WELLS, Storekeeper; all of Latrobe, Tasmania, Australia. A new or improved manual device for holding playing-cards.

No. 18282.—4th August, 1904.—P. and D. DUNCAN, LIMITED, of Tuam Street, Christchurch, New Zealand, Engineers (assignees of James Keir, of Colombo Street, Sydneyham, New Zealand, Engineer). An improvement in seed-sowers.

No. 18283.—3rd August, 1904.—JOHAN ALBERT NIKANDER, of Christchurch, New Zealand, Carpenter and Joiner. An improved appliance for cramping floors and for other analogous purposes.

No. 18286.—3rd August, 1904.—JOHN HARRISON LOVE, of Lorne Street, Auckland, New Zealand, Wholesale Saddler. Improvements in saddles.

No. 18291.—9th August, 1904.—WILLIAM HENRY SPILLER, of 58, Greig Street, Albert Park, Victoria, Ironworker. An improved combined automatic cream-separator and milk-cooler.

No. 18297.—11th August, 1904.—PHILIP NUNN, of Tungamah, Moira, Victoria, Australia, Farmer. An attachment for removing clay and the like from the hoes of grain-drills.

No. 18298.—11th August, 1904.—UNITED SHOE MACHINERY COMPANY, of Paterson, State of New Jersey, United States of America, a corporation duly organized under the laws of said State of New Jersey, and having a place of business at 205, Lincoln Street, Boston, Massachusetts, United States of America (assignees of Comfort Luscomb Whiting, of Brockton, Plymouth, Massachusetts aforesaid, Superintendent). Improvements in or relating to moulds or dies for heel-compressing machines.

No. 18299.—11th August, 1904.—UNITED SHOE MACHINERY COMPANY, of Paterson, State of New Jersey, United States of America, a corporation duly organized under the laws of said State of New Jersey, and having a place of business at 205, Lincoln Street, Boston, Massachusetts, United States of America (assignees of Benjamin Franklin Mayo, of Salem, Essex, Massachusetts aforesaid, Inventor). Improvements in or relating to moulds or dies for heel-compressing machines.

NOTE.—Provisional specifications cannot be inspected, or their contents made known by this office in any way, until the complete specifications in connection therewith have been accepted.

The date of acceptance of each application is given after the number.

F. WALDEGRAVE,
Registrar.

Letters Patent sealed.

LIST of Letters Patent sealed from the 5th to the 15th August, 1904, inclusive:—

No. 16096.—D. C. Groves and A. R. Stanton, raising sunken vessels.

No. 16186.—The Vacuum Tin Syndicate, Limited, exhausting air from cans. (W. E. W. Cates.)

No. 16278.—E. V. Dixon, screw propeller.

No. 16978.—T. Rouse and H. Cohn, converting ironsand into briquettes.

No. 17769.—The New Century Engine (Foreign Patents) Company, Limited, engine and generator. (E. Field.)

No. 17770.—H. C. La Flamboy, match-making machine.

No. 17800.—White Mylin Furnace Company, furnace. (A. H. Mylin and L. B. White.)

No. 17801.—The McClean Arms and Ordnance Company, counter-acting recoil in gun. (S. N. McClean.)

No. 17807.—J. H. Hodge and I. Zlotkowski, fire-extinguisher.

No. 17836.—J. Howard, machine shears.

No. 17842.—G. Gröndal, furnace for burning cement.

No. 17843.—E. A. Forsberg and B. Ljungstrom, link-blade liner for centrifugal-separator bowl.

No. 17844.—W. E. Hughes, cooling-apparatus. (M. Leblanc.)

F. WALDEGRAVE,
Registrar.

Letters Patent on which Fees have been paid.

[NOTE.—The dates are those of the payments.]

SECOND-TERM FEES.

No. 12579.—W. H. Boyens, branding carcasses. 5th August, 1904.

No. 12844.—W. L. Scott and G. Bowron, reducing wheat to flour. [C. L. Wheeler.] 10th August, 1904.

No. 12863.—A. E. Hight, cleaning watercourses. 10th August, 1904.

No. 12888.—J. E. Watkins and P. and D. Duncan, Limited, crane and friction hoist-attachment to traction-engine. 4th August, 1904.

No. 12900.—E. L. W. Cook, heating and filtering feed-water. [I. Davis.] 9th August, 1904.

No. 13113.—R. Turnbull, conveying electrical energy to dredge. 12th August, 1904.

THIRD-TERM FEES.

No. 9673.—R. D. Hume, can-making machine. 9th August, 1904.

No. 9770.—T. J. Heskett, manufacture of steel. [T. J. Heskett and H. Jones.] 4th August, 1904.

No. 9777.—T. Edwards, ore-roasting furnaces. 10th August, 1904.

No. 9799.—Acetylene Gas Company of Australasia, Limited, acetylene generator. [W. Tyree.] 4th August, 1904.

No. 9869. Acetylene Gas Company of Australasia, Limited, acetylene generator. [W. Tyree.] 4th August, 1904.

F. WALDEGRAVE,
Registrar.

Subsequent Proprietors of Letters Patent registered.

[NOTE.—The name of the Patentee is given in brackets. The date is that of registration.]

NO. 14813.—The Copper Company, Limited, having their registered offices at 13, Victoria Street, Westminster, London, England, Manufacturers. Electrode position of metals for manufacture of compound wire bars. [R. D. Sanders.] 3rd August, 1904.

No. 16350.—Electric and Train Lighting Syndicate, Limited, of the City and District of Montreal, in the Province of Quebec, Canada, a company duly incorporated under the laws of the Dominion of Canada. Power-transmitting device. [I. Deutsch and E. J. Fetherstonhaugh.] 3rd August, 1904.

No. 17645.—Margaret Morton Collins, of Denver, in the County of Denver and State of Colorado, United States of America; Francis Lawrence Bosqui, of Ross, in the County of Marin and State of California, United States of America; and George Ernest Collins, of Denver aforesaid. Treating cyanide-solutions. [W. H. Davis.] 3rd August, 1904.

F. WALDEGRAVE,
Registrar.

Request to correct Clerical Error allowed.

THE request to correct clerical errors in specification No. 16297, W. Lowe, seed-sower (advertised in supplement to *New Zealand Gazette*, No. 28, of the 31st March, 1904), has been allowed.

F. WALDEGRAVE,
Registrar.

Applications for Letters Patent abandoned.

LIST of applications for Letters Patent, with which provisional specifications only have been filed, abandoned (*i.e.*, complete specifications not lodged) from the 4th to the 17th August, 1904, inclusive:—

No. 17063.—G. Renner and W. H. Boyens, pegless clothes-line.

No. 17067.—W. E. Hughes, belt-coupling. (S. Brewerton).

No. 17071.—A. Parker, polishing boots.

No. 17072.—J. Irvine, preventing opening of packing-cases.

No. 17073.—C. Lyford, tying flax.

No. 17075.—A. M. Lewis, liquid-filter.

No. 17076.—R. Howland, amalgamator.

No. 17077.—E. J. Wilson, plough.

No. 17078.—G. Hutchinson, milking-apparatus.

No. 17086.—P. V. L. Alkemade, bucket.

No. 17089.—O. A. Jorgensen and L. A. Needham, window-sash.

No. 17090.—S. Scott, crimping and cutting shortbread.

No. 17092.—J. Stephens, door-lock.

No. 17095.—E. A. G. Hamlin, dust-excluder.

No. 17096.—E. A. G. Hamlin, dust-excluder.

No. 17097.—E. A. G. Hamlin, dust-excluder.

No. 17098.—R. Bennett, pneumatic billiard-cushion.

No. 17101.—D. M. Barnett, scribing-tool.

No. 17107.—T. J. Ross, ship's raft.

No. 17111.—S. White, oil-lamp extinguisher.

No. 17112.—J. H. A. McPhee, reducing iron-ore.

No. 17113.—C. B. Mercer, music-leaf turner.

No. 17114.—T. and M. J. Kilkelly, belt-fastener.

No. 17115.—J. Macalister, ridging-machine.

No. 17117.—J. R. Flanagan, wheel-lock.

No. 17126.—A. E. Otway, flax-cutter.

F. WALDEGRAVE,
Registrar.

Applications for Letters Patent void.

APPLICATIONS for Letters Patent, with which complete specifications have been lodged, void, owing to non-acceptance of such complete specifications, from the 4th to the 17th August, 1904, inclusive:—

No. 16319.—H. Durand, shaft-tug.

No. 16320.—H. Durand, garden shears.

F. WALDEGRAVE,
Registrar.

Applications for Letters Patent lapsed.

LIST of applications lapsed owing to Letters Patent not being sealed, from the 4th to the 17th August, 1904, inclusive:—

No. 15975.—Union Steamship Company, ship's raft. (J. McDonald.)

No. 15980.—D. M. Brooks, securing handle to broom-head.

No. 15982.—J. Salinger, operating air-brake on train.

No. 15983.—C. M. Newton and M. Coulson, applying boiling tar to paving-block.

No. 15984.—G. Aldous, clip for tobacco-pipe.

F. WALDEGRAVE,
Registrar.

Letters Patent void.

LETTERS Patent void through non-payment of renewal fees from the 4th to the 17th August, 1904, inclusive:—

THROUGH NON-PAYMENT OF SECOND-TERM FEES.

No. 12574.—A. Griffith, cycle. (G. Enrico.)

No. 12575.—A. P. Rimoldi and J. D. Rand, non-refillable bottle.

No. 12576.—W. Matthews, earth-scoop.

No. 12583.—J. W. Buddle, ventilating air-brick.

No. 12585.—A. M. Hamilton, pocket-filter.

No. 12591.—The Trommlitz Vote Register Company, voting-machine. (G. W. Trommlitz and W. H. Powers.)

No. 12596.—R. Caldwell, probe instrument for teats of cows.

No. 12600.—J. Mitchell, preservative covering for hams, &c.

No. 12601.—O. B. H. Hanneborg, apparatus for lighting and heating basements, &c.

No. 12603.—J. Couston and J. Finlayson, pipe-joint caulking machine.

No. 12613.—F. J. Corbett, manufacturing lead-carbonate.

No. 12614.—F. W. Braun, Bunsen burner. (H. B. Cary.)

No. 12615.—H. Thomson, motor car.

No. 12616.—A. H. Fisher, window.

No. 12622.—A. Carter, splitting timber.

THROUGH NON-PAYMENT OF THIRD-TERM FEE.

No. 9510.—F. A. Knapp and G. Goodwin, marine vessel.

F. WALDEGRAVE,
Registrar.

Design registered.

A DESIGN has been registered in the following name on the date mentioned:—

No. 215.—Charles Mytton Brooke, of Lancaster Park, Christchurch, in the Colony of New Zealand, Chemist. Class 4. 8th August, 1904.

F. WALDEGRAVE,
Registrar.

Applications for Registration of Trade Marks.

Patent Office,
Wellington, 17th August, 1904.

APPLICATIONS for registration of the following trade marks have been received. Notice of opposition to the registration of any of these applications may be lodged at this office within two months of the date of this *Gazette*. Such notice must be in duplicate, and accompanied by a fee of £1.

No. of application: 4400.

Date: 2nd October, 1903.

TRADE MARK.

The word

OSOKOOL.

NAME.

SARGOOD, SON, AND EWEN, of New Zealand, Warehousemen.

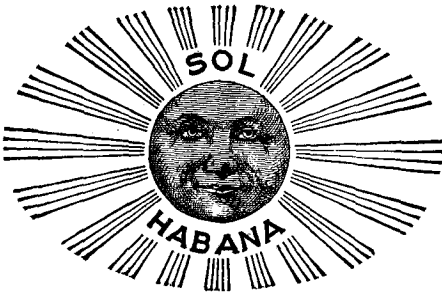
No. of class: 38.

Description of goods: Hats.

No. of application: 4575.

Date: 18th February, 1904.

TRADE MARK.



The essential particulars of this trade mark are the combination of devices and the word "Sol"; and any right to the exclusive use of the added matter is disclaimed.

NAME.

CARL BEHRENS, of Havana, Cuba.

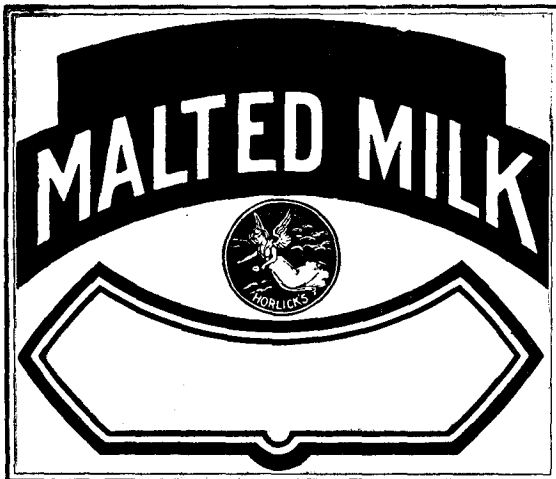
No. of class: 45.

Description of goods: Cigars.

No. of application: 4593.

Date: 2nd March, 1904.

TRADE MARK.



The applicants claim that the said trade mark has been used by them in respect of the article mentioned for seventeen years before the 8th day of January, 1904.

NAME.

HORLICK'S FOOD COMPANY, of Racine, Wisconsin, United States of America, and of 34, Farringdon Road, London, England.

No. of class: 42.

Description of goods: Malted milk.

No. of application: 4720.

Date: 14th May, 1904.

TRADE MARK.

HIBBERT'S PATENT ANTISEPTIC MEDICINE.

GENERAL INSTRUCTIONS.

The following quantities are recommended as being suitable to form a standard dose of the Antiseptic Medicines for all ages, habits, and constitutions, also for all forms and stages of diseases.

For children and young persons from infancy up to twenty years of age, administer 3 drops of my Antiseptic Medicine for every two years of the patient's age, that is to say—

YEARS	2	4	6	8	10	12	14	16	18	20
DROPS	3	6	9	12	15	18	21	24	27	30

Thirty drops (half a tea-spoonful) will be a suitable dose for adults. When immediate action on the bowels is imperative, increase the dose, and administer hot drinks shortly after. The dose in each case must be diluted with water, the quantity of water is immaterial, if the whole of the dose be administered.



TRADE MARK

In all cases the dose should be given at short intervals at the commencement, and if after two or three doses it acts as an aperient, lengthen them, if not, shorten the interval until the aperient action is produced, then gradually lengthen them until the aperient action ceases and a free natural motion is produced; continue the dose at these intervals until the system becomes thoroughly impregnated, then rest a few days, after which repeat the course if necessary, or gradually leave off.

Manufactured by Hibbert's Exors., Manchester, England.

Sole Agents for New Zealand... **W. BRUNSKILL & CO., Wellington**

The applicants claim that the said trade mark has been in use by them and their predecessors in business in respect of the article mentioned before and since 1890.

NAME.

JOHN BRIGHAM and MARIA HIBBERT, executors of the late W. Hibbert, of Derby Street, Cheetham, Manchester, England.

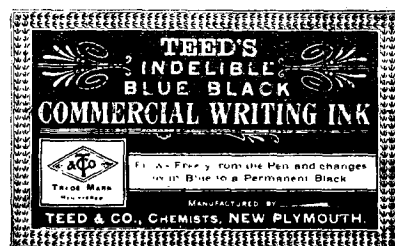
No. of class: 3.

Description of goods: Medicine.

No. of application: 4790.

Date: 30th June, 1904.

TRADE MARK.



The essential particulars of this trade mark are the floral scroll upon each side of the word "Indelible," the distinctive trefoil border, and the initials "T. & Co." in a diamond and as shown on the label; and applicants disclaim any right to the exclusive use of the added matter, except as regards their name and address.

NAME.

TEED AND Co., of New Plymouth, New Zealand, Chemists.

No. of class: 39.

Description of goods: Inks.

No. of application: 4816.
Date: 14th July, 1904.

TRADE MARK.
The words
KIA ORA.

NAME.
ERNEST FREDERICK KENNARD, of Frederick Street, Dunedin, New Zealand, Cycle-manufacturer.

No. of class: 22.
Description of goods: Cycles.

No. of application: 4831.
Date: 25th July, 1904.

TRADE MARK.



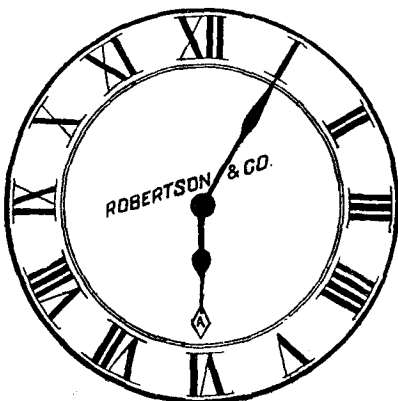
The essential particulars of this trade mark are the facsimile signature and monogram "G. & R."; and applicants disclaim any right to the exclusive use of the added matter, with the exception of the words "J. B. MacEwan & Co."

NAME.
J. B. MAC EWAN AND Co., of Union Steamship Company's Buildings, Wellington, New Zealand.

No. of class: 42.
Description of goods: A culture for cream and milk ripening.

No. of application: 4832.
Date: 26th July, 1904.

TRADE MARK.

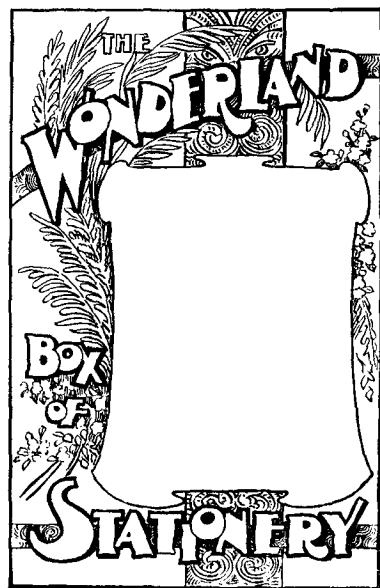


NAME.
ROBERTSON AND Co., of Rutland Street, Auckland, in the Colony of New Zealand, Manufacturers.

No. of class: 42.
Description of goods: Fruit syrups, pickles, vinegar, olive-oil, and other articles of the same class, excepting tea and bread and articles of same description as tea and bread.

No. of application: 4833.
Date: 27th July, 1904.

TRADE MARK.



The essential particulars of this trade mark are the word "Wonderland," a panel, and the ornamental border; and any right to the exclusive use of the added matter is disclaimed.

NAME.
D. BENJAMIN AND Co., of Dowling Street, Dunedin, New Zealand, Merchants.

No. of class: 39.
Description of goods: Stationery.

No. of application: 4836.
Date: 28th July, 1904.

TRADE MARK.
The words
ROMEO Y JULIETA.

NAME.
RODRIGUEZ ARGÜELLES Y CA, of Virtudes No. 129, Habana, in Cuba, Tobacco-manufacturers.

No. of class: 45.
Description of goods: Tobacco, cigars, and cigarettes.

No. of application: 4837.
Date: 28th July, 1904.

TRADE MARK.
The words
COMMON SENSE.

NAME.
GEORGE LEACH, of 233, Elizabeth Street, Melbourne, Victoria, Australia, Ironmonger.

No. of class: 7.
Description of goods: Cream-separators and milk-coolers.

No. of application: 4838.
Date: 30th July, 1904.

TRADE MARK.
The word
SILVERDALE.

NAME.
PEARSON AND RUTTER, LIMITED, of 15, Johnston Street, Wellington, New Zealand.

No. of class: 42.
Description of goods: Butter and cheese.

No. of application: 4839.
Date: 30th July, 1904.

TRADE MARK.
The word
SNOWDRIFT.

NAME.
PEARSON AND RUTTER, LIMITED, of Johnston Street, Wellington, New Zealand, Butter, &c., Merchants.

No. of class: 42.
Description of goods: Butter and cheese.

No. of application: 4840.
Date: 1st August, 1904.

TRADE MARK.
The word
RADIUM.

NAME.
GEORGE TRAPNELL, of Brightwater, in the Provincial District of Nelson, in the Colony of New Zealand, Miller.

No. of class: 42.
Description of goods: Flour.

No. of application: 4841.
Date: 1st August, 1904.

TRADE MARK.
The word
"P E T."

NAME.
THE PHOENIX COMPANY, LIMITED, of Dunedin, New Zealand.

No. of class: 42.
Description of goods: Cakes and biscuits.

No. of application: 4842.
Date: 2nd August, 1904.

TRADE MARK.
The word
TIPPIKANDY.

NAME.
A. S. PATERSON AND Co. (trading under the style of "The South British Packing Company"), of Wellington, New Zealand, Merchants.

No. of class: 42.
Description of goods: All articles in class 42.
NOTE.—Class 42 is for substances used as food or as ingredients in food.

No. of application: 4843.
Date: 2nd August, 1904.

TRADE MARK.
The word
KANDIALA.

NAME.
A. S. PATERSON AND Co. (trading under the style of "The South British Packing Company"), of Wellington, New Zealand, Merchants.

No. of class: 42.
Description of goods: All articles in class 42.
NOTE.—Class 42 is for substances used as food or as ingredients in food.

No. of application: 4845.
Date: 3rd August, 1904.

TRADE MARK.
The word
IXION.

NAME.

THE AMERICAN TOBACCO COMPANY OF NEW ZEALAND, LIMITED, of Hunter Street, Wellington, New Zealand.

No. of class : 45.

Description of goods : All goods included in this class.

NOTE.—Class 45 is for tobacco, whether manufactured or un-manufactured.

No. of application : 4848.

Date : 4th August, 1904.

TRADE MARK.

The word

RESTON

NAME.

WILLIAM E. REYNOLDS AND Co., of 43, Bond Street, Dunedin, New Zealand, Merchants and Importers.

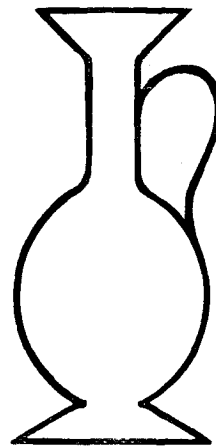
No. of class : 22.

Description of goods : Carriages and vehicles of all kinds.

No. of application : 4849.

Date : 8th August, 1904.

TRADE MARK.



PITCHER.

NAME.

MAYNARD AND Co., of 36, Peterborough Street, Christchurch, New Zealand, Manufacturers.

No. of class : 44.

Description of goods : Mineral and aerated waters, natural and artificial, including gingerbeer.

No. of application : 4850.

Date : 8th August, 1904.

SERIES OF TWO TRADE MARKS.

CRESCENT

N. M. & A. COY.

FERTILISERS.

CRESCENT

N. M. & A. COY.

BONEDUST.

The essential particulars of this series of trade marks are the device and word "Crescent"; and any right to the exclusive use of the words "Fertilisers" and "Bonedust" is disclaimed.

NAME.

NATIONAL MORTGAGE AND AGENCY COMPANY OF NEW ZEALAND, LIMITED, of Invercargill, in the Colony of New Zealand.

No. of class : 2.

Description of goods : Fertilisers, bonedust.

No. of application : 4851.

Date : 9th August, 1904.

TRADE MARK.

The word

GLORIA.

NAME.

JOHN ALEX. WOODWARD, of Mercantile Chambers, Queen Street, Auckland, New Zealand, Importer.

No. of class : 3.

Description of goods : Medicinal preparations.

No. of application : 4853.

Date : 9th August, 1904.

TRADE MARK.

The word

VIGRO.

NAME.

MANNING BROS., of Auckland, in the Colony of New Zealand, Chemists.

No. of class : 3.

Description of goods : Chemical substances prepared for use in medicine and pharmacy.

No. of application: 4854.

Date: 9th August, 1904.

TRADE MARK.

The word

VETRINE.

NAME.

MANNING BROS., of Auckland, in the Colony of New Zealand, Chemists.

No. of class: 3.

Description of goods: Chemical substances prepared for use in medicine and pharmacy.

No. of application: 4855.

Date: 9th August, 1904.

TRADE MARK.

The word

BUDGEREE.

NAME.

WILLIAM ARETAS PARRY SUTTON, of Gisborne, New Zealand, Government Meat-inspector.

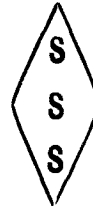
No. of class: 2.

Description of goods: Chemical substances used for agricultural purposes.

No. of application: 4857.

Date: 11th August, 1904.

TRADE MARK.



The applicants claim that the said trade mark has been used by them and their predecessors in business in respect of the articles mentioned for many years before the 2nd day of September, 1889.

NAME.

SYBRY, SEARLS, AND Co., LIMITED, of Cannon Steel-works, Sheffield, England, Manufacturers.

No. of class: 5.

Description of goods: Unwrought and partly wrought metals used in manufactures.

No. of application: 4858.

Date: 11th August, 1904.

TRADE MARK.



The essential particulars of this trade mark are the following: the distinctive label and the word "Bleacho"; and any right to the exclusive use of the added matter is disclaimed.

NAME.

PERCY WILLIAM MERFIELD, of corner of High and Princes Streets, Kew, in the State of Victoria, Commonwealth of Australia, Chemist.

No. of class: 50.

Description of goods: A cleansing preparation.

No. of application: 4862.
Date: 12th August, 1904.

TRADE MARK.
The word
KOSMOS.

NAME.
FREDERICK CROSSBY, of Albert and Durham Streets, Auckland, New Zealand.

No. of class: 50.
Description of goods: Brushware.

No. of application: 4863.
Date: 12th August, 1904.



The essential particulars of this trade mark are the device of number of pieces of fruit surrounded by a diamond-shaped border and the word "Diamond"; and any right to the exclusive use of the added matter is disclaimed.

NAME.
ARTHUR COLVILLE WILSON, trading as "The New Zealand Dip and Orchard-spraying Company," of Christchurch, in the Colony of Zealand.

No. of class: 2.
Description of goods: Fruit-tree spraying specifics.

No. of application: 4864.
Date: 12th August, 1904.

TRADE MARK.
The word
KOOLEZI.

NAME.

ROSS AND GLENDINING, LIMITED, of Invercargill, New Zealand, Warehousemen.

No. of class: 38.
Description of goods: Articles of clothing.

F. WALDEGRAVE,
Registrar.

Trade Marks registered.

LIST of Trade Marks registered from the 4th to the 16th August, 1904, inclusive:—

- No. 3696; 4542.—Sapon, Limited. Class 47. (*Gazette* No. 45, of the 26th May, 1904.)
- No. 3697; 4700.—F. Reddaway and Co., Limited. Class 50. (*Gazette* No. 45, of the 26th May, 1904.)
- No. 3698; 4724.—Slater, Rodger, and Co., Limited. Class 43. (*Gazette* No. 45, of the 26th May, 1904.)
- No. 3699; 4711.—G. N. Clemson. Class 12. (*Gazette* No. 45, of the 26th May, 1904.)
- No. 3700; 4712.—G. N. Clemson. Class 12. (*Gazette* No. 45, of the 26th May, 1904.)
- No. 3701; 4718.—A. S. Paterson and Co. Class 42. (*Gazette* No. 45, of the 26th May, 1904.)
- No. 3702; 4719.—A. S. Paterson and Co. Class 42. (*Gazette* No. 45, of the 26th May, 1904.)
- No. 3703; 4692.—J. Nathan and Co., Limited. Class 5. (*Gazette* No. 42, of the 12th May, 1904.)
- No. 3704; 4704.—J. Nathan and Co., Limited. Class 50. (*Gazette* No. 42, of the 12th May, 1904.)
- No. 3705; 4726.—J. Nathan and Co., Limited. Class 42. (*Gazette* No. 45, of the 26th May, 1904.)
- No. 3706; 4318.—H. E. Crease. Class 50. (*Gazette* No. 66, of the 20th August, 1903.)
- No. 3707; 4662.—Gallaher, Limited. Class 45. (*Gazette* No. 31, of the 14th April, 1904.)
- No. 3708; 4727.—S. L. P. Rimmer. Class 42. (*Gazette* No. 49, of the 9th June, 1904.)

F. WALDEGRAVE,
Registrar.

Trade Mark Renewal Fee paid.

FREE paid for the renewal of the undermentioned Trade Mark for fourteen years from the date first mentioned:—

No. 122/89 (two trade marks), 22nd September, 1904. The Worthington Pumping-engine Company, of London, England. 15th July, 1904, and 4th August, 1904.

F. WALDEGRAVE,
Registrar.

Applications for Trade Marks withdrawn.

NO. 4465.—R. A. Dexter and D. Crozier. (Advertised in supplement to *New Zealand Gazette*, No. 94, of the 10th December, 1903.)

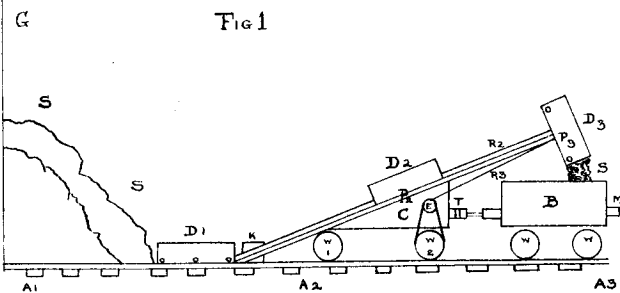
No. 4791.—Bycroft and Co. (Advertised in supplement to *New Zealand Gazette*, No. 59, of the 7th July, 1904.)

F. WALDEGRAVE,
Registrar.

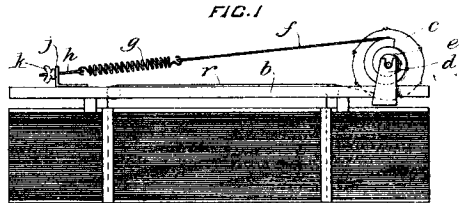


ILLUSTRATIONS OF INVENTIONS.

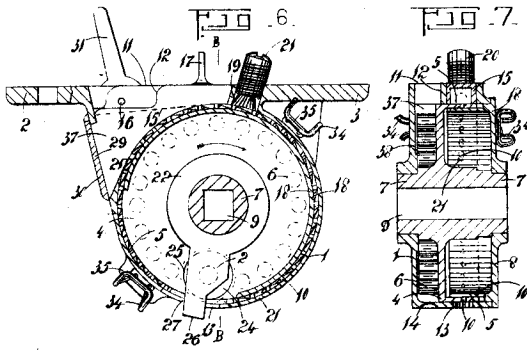
[These illustrations refer to the complete specifications accepted, and advertised in this *Gazette*.]



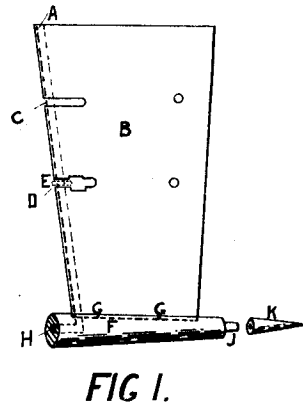
16895
Wilson. Loader.



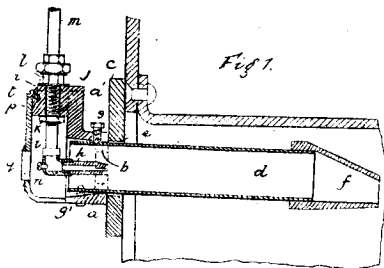
17122
Leach. Venetian Blind.



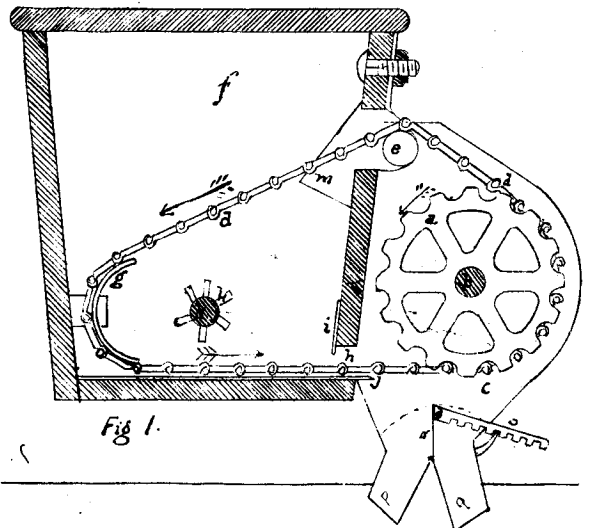
17028
Bristow. Sower.



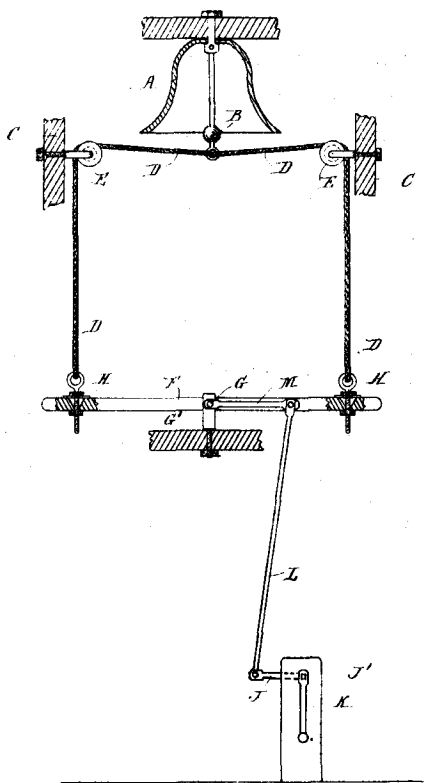
17094
Williams. Drain-plough.



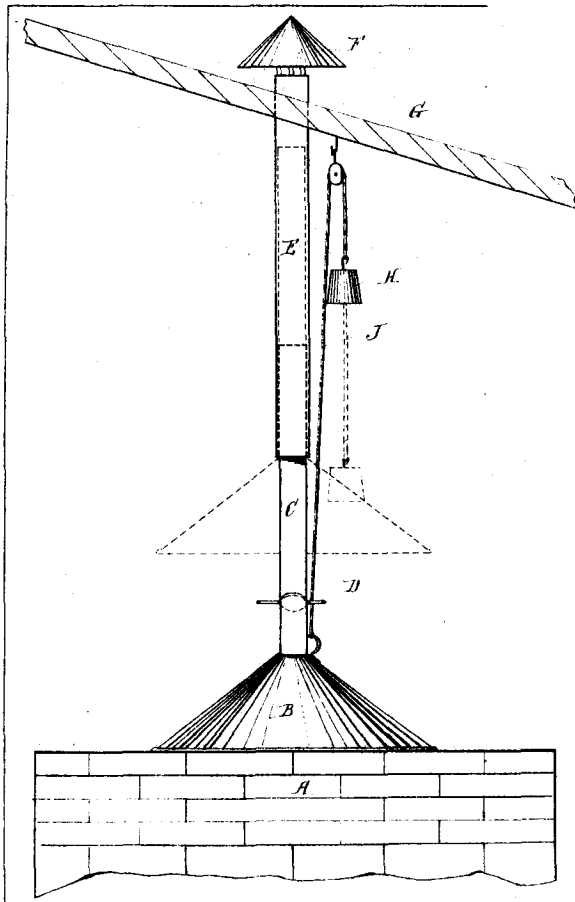
17108
Applegarth. Fuel-economiser and Smoke-preventer.



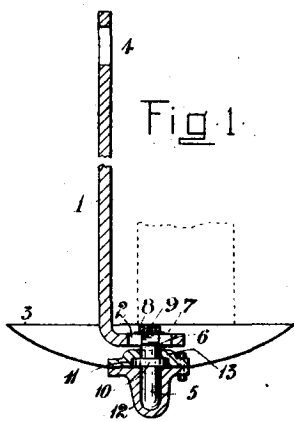
17116
Macalister. Manure Feed.



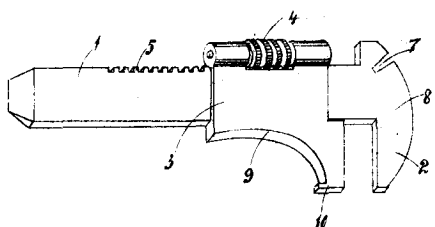
17194
Dowling. Fire-alarm Bell.



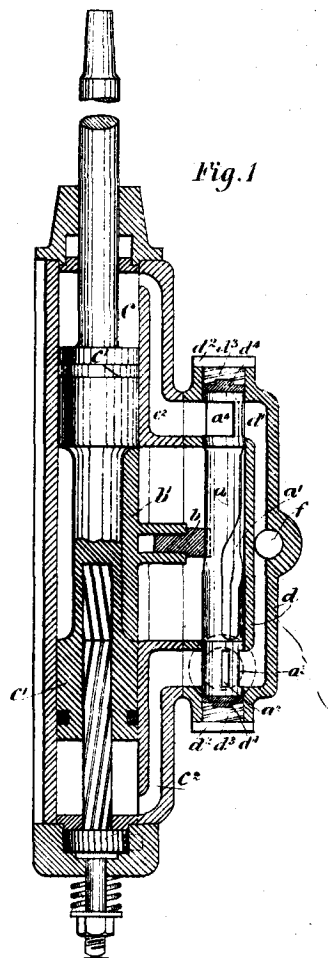
17278
Frame. Washing-boiler.



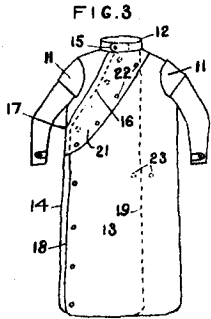
17216
Watson. Wheel-scraper.



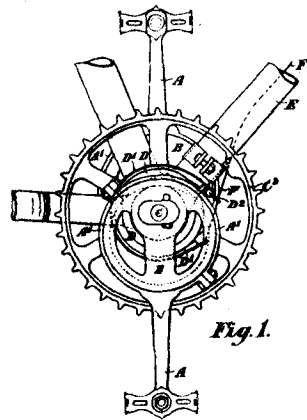
18094
Gray. Combination Tool.



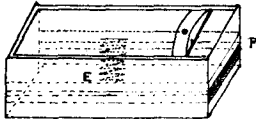
17208
Tagell. Valve.



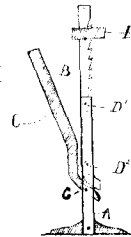
17161
Perdriau. Overcoat. (Daniell.)



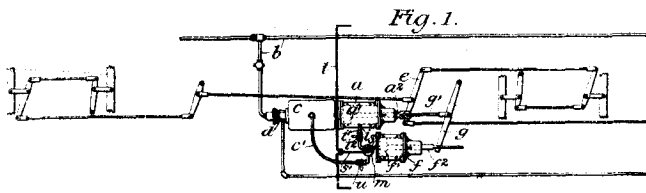
17363
Ritscher. Cycle-crank.



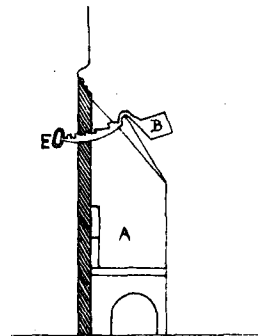
17690
Wall and Toohy. Knife-cleaner.



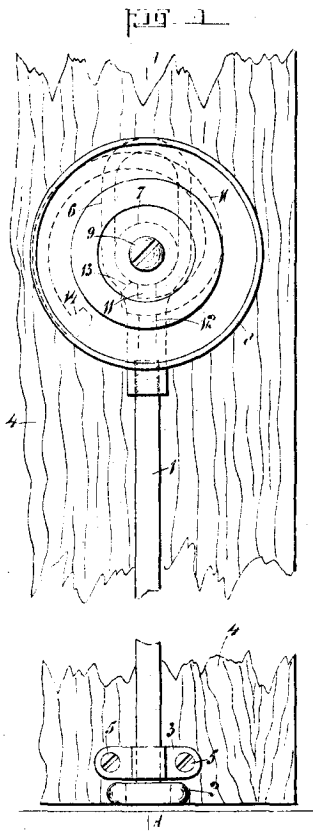
18061
Dunn. Wheel-jack.



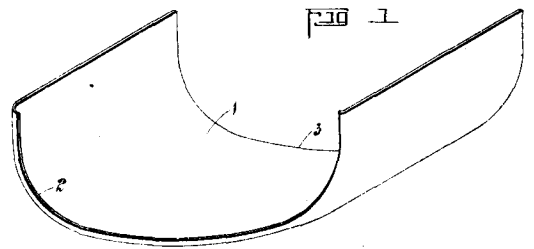
17846
Spruson. Railway-brake. (Sauvage.)



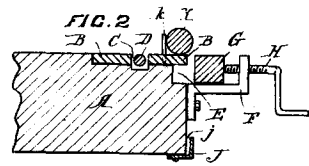
18198
Hercus and McLennan. Coal-saver and Draught-regulator.



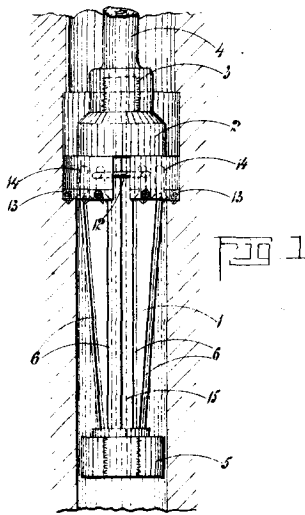
18167
May. Door-holder.



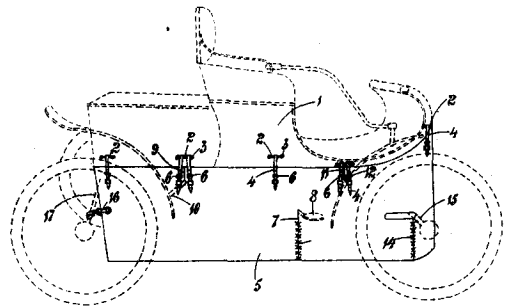
18182
McPharlin. Kauri-gum Catcher.



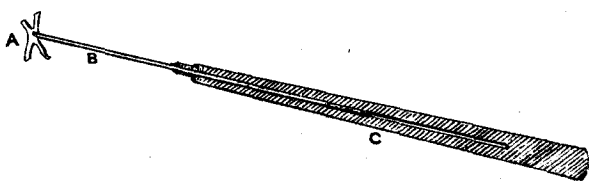
18209
Rogers. Forming O.G. Spouting and Ridging.



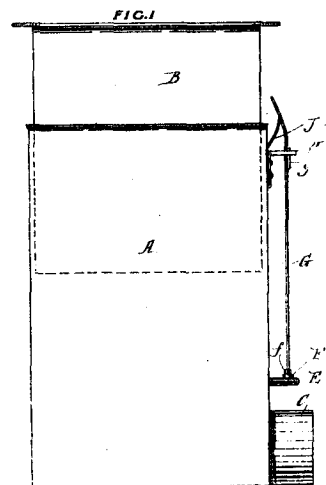
17400
Smith. Boring-apparatus.



18259
Payne. Dirt-screen for Motor Car.



18176
Noonan and O'Connor. Billiard Rest.



18199
Shelton. Acetylene-generator.